

rapid return  
and profit with an  
unbeatable price-  
performance ratio

technical data	
Cutting length:	over 3,000 mm using extension rail
Feed:	max. 8 m/min (continuously adjustable)
Cutting depth of saw:	42 mm
Connected load:	115 / 230 V, 50 - 60 HZ
Power rating:	max. 1,3 kW
Exchangeable units:	Milling machine or saw unit
Weight:	10 kg to approx. 15 kg

The Supercut XPM from flextos is the first self-driving and mobile milling / sawing machine. The XPM is designed especially for drywall construction and pre-fabrication of drywall shapes.

There is no need to set corner protection or corner bead, because from now on it is a simple matter to produce your own shaped parts directly at the job site – dust free and straight from the pallet.

**Benefits**

- one-man operation
- low dust operation thanks to pinpoint extraction
- compact pack size



**flextos GmbH**  
Rosenheimer Strasse 44  
83064 Raubling  
Germany

Phone +49 (8031) 233 88 60  
Fax +49 (8031) 233 88 68

info@flextos.com  
www.flextos.com



# Supercut XPM – mobile milling and sawing machine

fast  
mobile  
precise



# Supercut XPM – Technology

# Supercut XPM – Example Applications

Create precision shaped parts directly at the job site, wherever and whenever you need them

## Equipment variations

**Basic machine** (see Fig. 01)  
cutting length 1,400 mm  
adjustable feed rate

**Extensions** (see Fig. 02)  
cutting lengths up to over 3 m  
sturdy fastening  
robust joint

**Milling unit** (see Fig. 03 a)  
exact depth setting  
optional laser modules  
mill holder 8 mm for 90° mill up to 90° router bit

**Sawing unit** (see Fig. 03 b)  
cutting depth up to 42 mm  
optional laser modules  
holder for multisaw

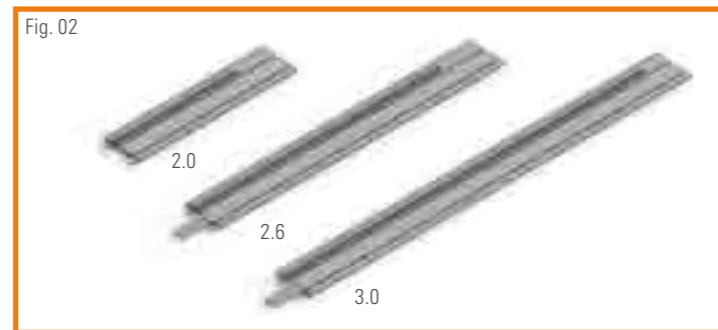
**Multisaw** (see Fig. 03 c)  
4 saw blades in one pack, for slotted panels  
easy replacement

**Laser modules** (see Fig. 04 a - c)  
easy machine adjustment  
modules for units, Fig. 04 b  
modules for guide rail, Fig. 04 c

**Centring pin** (see Fig. 05))  
simplifies machine positioning

**Cross-fence** (see Fig. 06)  
attachable to the guide rail  
for precise repeat cuts

**Transport case** (see Fig. 07)  
sturdy transport case with handles and wheels



low-dust  
versatile  
precise



**versatile both in use and in material compatibility**

pre-shaped drywall parts  
cut plasterboards, wooden boards or cement to shape  
multiple saw for curves and slotted boards

**work smart.**